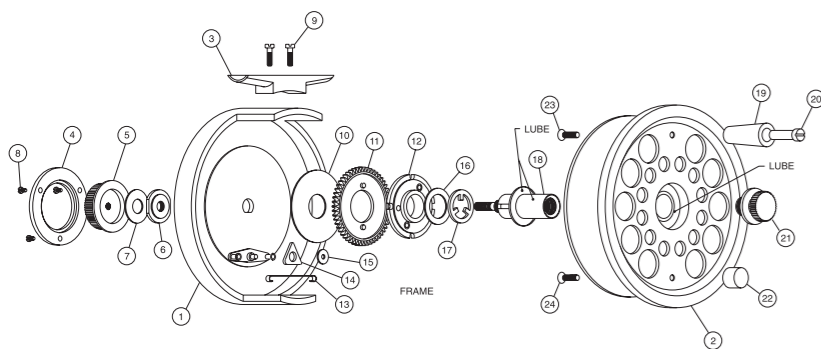


FL•Logic Arbor Diagram



ASSEMBLY NOTE: Before removing spindle cartridge for cleaning purposes or retrieval direction change, re-thread item 21 (spool retention knob) into spindle end.

ITEM	DESCRIPTION	PART	ITEM	DESCRIPTION	PART
1	FRAME	USE MODEL #	13	CLICKER SPRING	P3022
2	SPOOL	USE MODEL #	14	CLICKER PAWL	P3020
3	FOOT	USE MODEL #	15	PAWL RETAINER	P3024
4	RETAINING PLATE	P4000	16	THRUST WASHER (P.P.)	P4004
5	DRAG KNOB	P4002	17	PRESSURE PLATE	P4003
6	SPINDLE NUT	P3003	18	SPINDLE CARTRIDGE	USE MODEL #
7	THRUST WASHER	P4010	19	HANDLE	P1210
8	RETAINING PLATE SCREWS (3)	P3018	20	HANDLE SHAFT	P3002
9	FOOT SCREWS (2)	P4006	21	SPOOL RETENTION KNOB	P4002
10	DRAG DISC	USE MODEL #	22	COUNTER-WEIGHT	P1211
11	GEAR/DRAG DISC	USE MODEL #	23	HANDLE SCREW	P3016
12	TORQUE CONVERTER ASSY	USE MODEL #	24	COUNTER-WEIGHT SCREW	P4007

Cleaning, Lubrication, and Storage

Cleaning: After exposure to dirt, sand, or salt water, it is essential to bathe or flush your Fly Logic reel in fresh water before reuse. Please refer to lubrication recommendations. For salt water exposure, a thorough rinsing of your reel under a moderate stream of fresh water is required.

Salt water use: Your Fly Logic reel is designed for both fresh and salt water destinations. However, special cleaning procedures must be observed in order to protect your reel for years of enjoyment.

A thorough rinsing of your reel under a moderate stream of fresh water is required after each use. Salt water, in addition to being highly corrosive, leaves a gummy, gritty residue as it dries. We recommend that you utilize a soft toothbrush and gently clean all surfaces, including the underside of the drag knob (use a penny to remove the lock nut), while allowing the fresh water to irrigate the reel while you brush. Relieve drag pressure to allow water to rinse between drag surfaces.

We also recommend a light lubrication after the salt water cleaning procedure. Please refer to lubrication recommendations.

Lubrication: During a normal season of use, lubrication is generally not necessary. The Oilite bearings and Delrin®/Teflon drag components are self-lubricating. After heavy use (salt water, sandy conditions, etc.), cleaning and lubrication are recommended. Apply a light coating of quality lubricating oil (not something out of a can you'd spray door hinges with) to the spindle surface, the spool stop ring, and the spool surface that contacts the spool retention knob. These lubrication points are illustrated in the FL•Logic Arbor diagram. Don't overdo it. Only a very light film of lubricant should be applied. Avoid getting lubricant between disc drag components as this alters their inherent frictional values.

Storage: At season's end, or about once each year, we recommend thoroughly bathing your reel in fresh water followed by wiping with a soft, dry cloth. Lubricate per the recommended procedure. It is also important to relieve the tension on the drag system by backing off the drag knob completely prior to storing your reel for any extended period of time.

Your Fly Logic Warranty

Your Fly Logic reel includes a lifetime warranty free from defects in materials or workmanship to the original owner only. We carefully inspect all reels prior to shipment; however, should you detect any defect in either material or workmanship, please return your reel to an Authorized Fly Logic Dealer or by prepaid postage to: Fly Logic, Inc., 511 Broadway Avenue, P.O. Box 270, Melba, Idaho 83641-0270 (Phone: 208-495-2090, E-mail: fli@flylogic.com). Fly Logic will repair or replace the defective part(s) and return the reel to the original owner for a \$25 processing, handling, and shipping fee.

Your Fly Logic reel should be periodically cleaned and lubricated as described in this owner's manual. Properly cared for, your reel will provide you with many years of great memories. Welcome to the Fly Logic family.

To implement the warranty, please complete the registration card provided with your reel and return to Fly Logic within thirty (30) days from date of purchase.

This warranty does not extend to any Fly Logic product that has been damaged or rendered defective as a result of (1) unreasonable use or neglect, (2) the use of parts not supplied by Fly Logic, or (3) modification of the product. Nor does the warranty cover normal wear and tear caused by use of the product over time.

If repair is needed due to any reason listed above (1, 2, or 3), your Fly Logic reel may be serviced by our trained technicians for a shipping and handling fee of \$25, together with the cost of parts. This is for service which may not be covered under the warranty. (01/06)

THE ABOVE-DESCRIBED WARRANTY IS GIVEN IN LIEU OF ALL OTHER WARRANTIES EITHER EXPRESSED OR IMPLIED.

This warranty is limited as set forth above and does not cover any consequential, special or incidental damages. These limitations and exclusions may not apply to you, depending upon specific legal rights, which may vary from state to state.

FL•Logic Arbor™ Series Reels

Owner's Manual

Congratulations on the purchase of your Fly Logic reel, which is proudly made in the USA. We're aware you had many options in the selection of a fly reel and are pleased you decided Fly Logic is your reel of choice. You can expect this reel to provide many years of dependable performance and enjoyment.

At the inception of our company, we compiled a "wish list" of features, pricing, and materials that were used as our goal for the FL•Logic Arbor Series reel. Without exception, each objective originally desired has been achieved or exceeded. The result is this quality reel you now own. Our research and development team has dedicated themselves to months of intensive design, engineering, and testing to create the unique array of features listed inside.

FLYLOGIC®

Logical products for fly fishing™

The Benefits of Logic

Center line disc drag system (Patent 5,918,826)

Since we believe that the heart of any fly reel is the drag system, your Fly Logic drag has unsurpassed reliability and functionality which includes a maintenance-free disc braking system and ergonomically designed center drag knob. Drag tension ranges from a virtually free spool for the most delicate situations to robust pressure for bigger fish. The large capacity spring system allows a gradual, delicate load to the drag mechanism. In addition, the centrally located drag knob will be easy to find, without looking, when that all-important take and run occurs. The FL•Logic Arbor features what may be one of the world's smallest torque converter systems. The one-way clutch is freewheeling in one direction and instantly engaged in the other direction. This provides a "tippet friendly" braking response with virtually no starting inertia. That's why we call this anti-reverse clutch the Tippet Protector® system, which is a Fly Logic exclusive.

Pleasing 3-way adjustable drag alarm (Patent 5,918,826)

It's your choice. The alarm system for your reel is adjustable in three ways: traditional click, whisper click, and silent mode.

Stationary interlock between spool and frame

Have you ever noticed a spongy tolerance between an engaged frame and spool when you pull both components in opposite directions? Other than a required tolerance for machining standards, your FL•Logic Arbor Series reel is locked stationary to the frame once the spool is engaged. This will

eliminate unnecessary "floating" on the spindle shaft while stripping or retrieving line.

Easy spool interchange

All guides, dealers, and consumers seem to say the same thing: "Provide us with a simple, easy spool exchange system." It doesn't get much simpler than the system we offer on the FL•Logic Arbor reels. We have equipped these reels with a precision, fine threaded "spool retention knob" (21). We have even treated the spool contact face of this knob with a permanent coating of Teflon for lubricity and wear. To remove the spool, simply turn the knob in a counter-clockwise direction to loosen and remove. Slide the spool off the spindle cartridge (18) and you're ready for spool change or cleaning. Replace the spool. Thread the knob back into the spindle cartridge until it seats firmly against the spindle end. That's it.

Large diameter spindle configuration

When you remove the spool from your FL•Logic Arbor Series reel you'll notice the large diameter spindle. The large spindle provides a greater heat displacement under heavy use. This means that the inevitable season-after-season wear and tear to your reel is minimized.

Simple left to right retrieve change

Refer to the FL•Logic Arbor diagram. (1) Unthread to remove the spool retention knob. (2) Remove the spool from the spindle cartridge. (3) Rethread the spool retention knob into the spindle cartridge. (4) Unthread the three retaining plate screws and remove the retaining plate.

(5) Unthread the drag knob to remove. (6) Remove the thrust washer. (7) With a 5/8" wrench, remove the spindle nut to release the spindle cartridge. (8) Remove the spindle cartridge from the frame. (9) Remove the drag disc, gear, and torque converter. (10) Turn the torque converter over and replace all the parts in reverse order. You'll be ready to fish in about five minutes. Since folks normally don't change dominant hands often, this may be a one-time operation. Your Authorized Fly Logic Dealer will be pleased to assist if you have any questions.

Stealthy matte, hard anodized finished

The FL•Logic Arbor Series reel is glass bead blasted to produce a uniform, satin matte, non-glare finish. It is then treated with a Type 3, hard anodized to provide the ultimate in corrosion and wear protection.

Reel foot conforms to industry standards

You may not be aware that the fly tackle industry came to an agreement regarding the reel seat and foot standards. This was prompted by dealer and consumer demand to offer uniformity so that all reels would eventually fit on all rods. Great idea! Be assured that the Fly Logic team, known for meticulous detail, has made your reel to exacting specifications that will easily fit within the industry requirements.

Ample line capacity; generous palming area

A generous line capacity was one of the most important "wish list" features that we discussed early on. All our reels will accommodate plenty of backing (see the chart for exact measurements). And keep in mind that no

measurements have been hyped by using inferior, smaller line. All specifications were compiled with top quality lines.

For those "traditional anglers," we have provided the option of braking by hand by engineering a generous palming area.

Reel	Line (weight-forward floating)	Backing Capacity (yds)
FLA 12	11, 12, 13 Salt Water Taper	375, 350, 320 (30#)
FLA 10	9, 10, 11 Salt Water Taper	375, 350, 325 (20#)
FLA 8	8, 9, 10 Standard Taper	200, 190, 180 (20#)
FLA 5	5, 6, 7 Standard Taper	150, 140, 130 (20#)

Note: Line and backing capacities measured using Scientific Angler's Mastery Series lines and Micron backing.

Non-audible retrieve mechanism

Unlike many clicker systems that make an annoying ratchet noise, your FL•Logic Arbor Series reel will retrieve fly line with a silent operation that is extremely smooth. After a long day on the water you will appreciate this "silent" feature